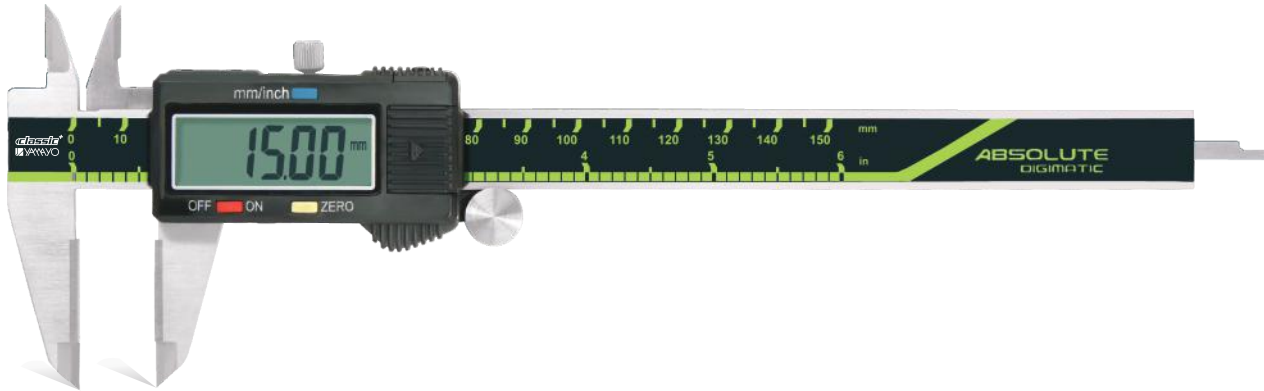


Digimatic Calipers with Carbide Jaws



FEATURES

- Carbide Tipped Jaws for internal and external measurements, suitable for measuring rough surfaces, castings, abrasives.
- Provided with slide roller for easy controlled operation.
- Power supply : One SR44 or LR44 Battery.
- Function : On/Off, Origin (Zero setting), Data output, inch/mm.
- Made of Stainless Steel.

SPECIFICATIONS & DIMENSIONS

Order No.	Range	Resolution	Accuracy (\pm)	a	b	c	d	L
133-150	150mm/6"	0.01mm/0.0005"	0.03mm	40	21	16.5	16	235

