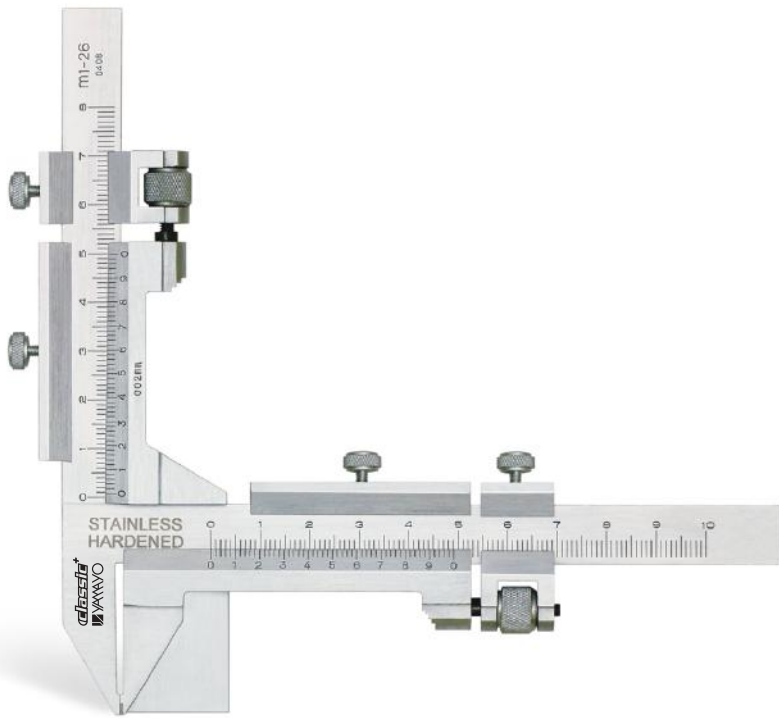


# Gear Tooth Vernier Calipers



## FEATURES

- Measures Gear Tooth thickness.
- Carbide Tipped Jaws.

## SPECIFICATIONS & DIMENSIONS

Order No.	Range	Graduation	Accuracy ( $\pm$ )
104-026	M1-26mm	0.02mm	0.04mm

