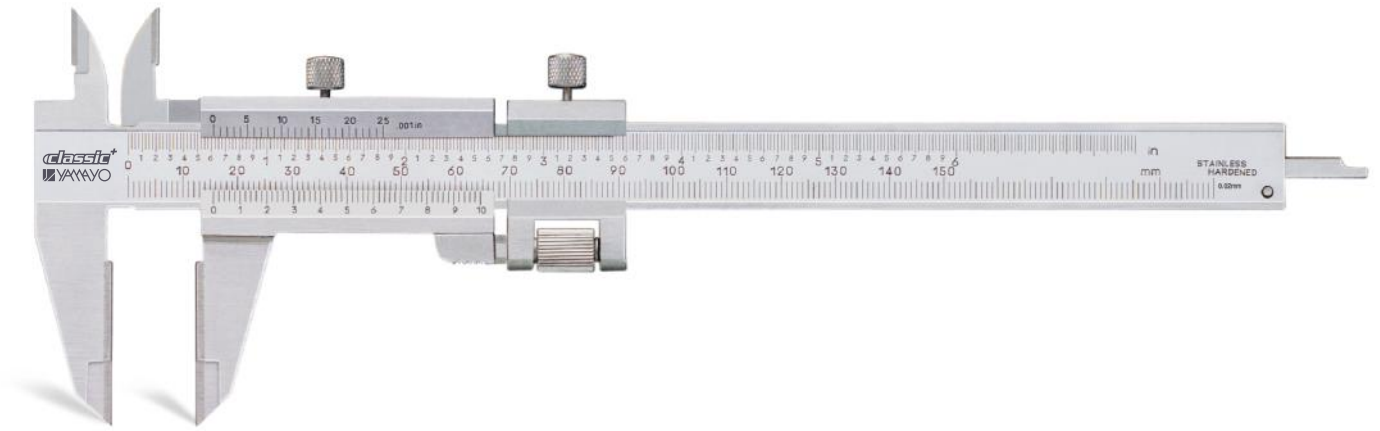


# Vernier Calipers with Carbide Jaws



## FEATURES

- Carbide Tipped Jaws for internal and external measurements, suitable for measuring rough surfaces, castings, abrasives.
- Vernier and main scale are with Satin Chrome finish for glare free reading.
- Raised sliding surfaces for protection of the scale.
- Can measure OD, ID, Depth and Steps.
- Provided with a fine adjustment carriage to feed the slider finely.
- Made of Stainless Steel.

## SPECIFICATIONS & DIMENSIONS

Order No.	Range	Graduation	Accuracy ( $\pm$ )	a	b	c	d	L
103-130	130mm/5"	0.02mm/0.001"	0.03mm	40	20.5	16.5	16	235
103-180	180mm/7"	0.02mm/0.001"	0.03mm	50	23.5	19	16	290
103-280	280mm/11"	0.02mm/0.001"	0.03mm	60	26	20	20	405

