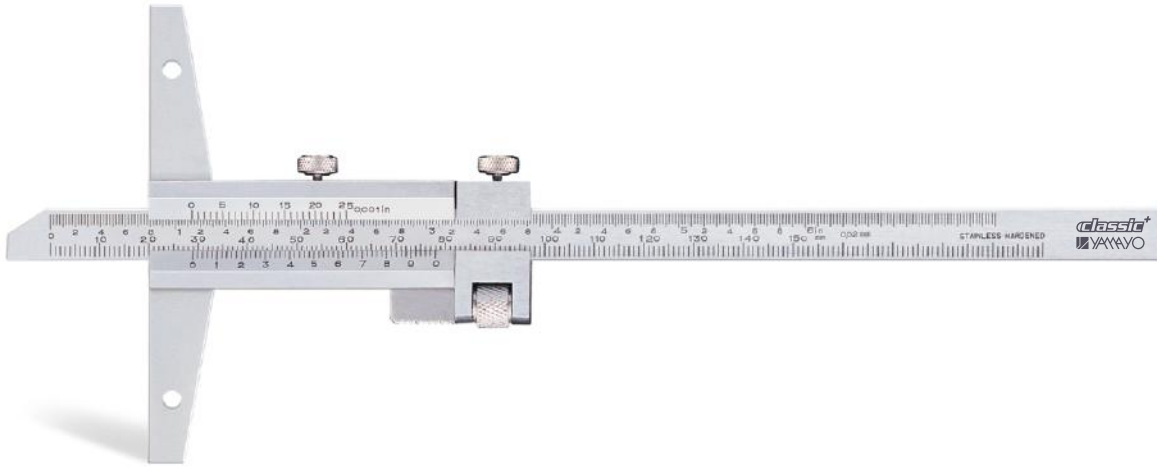


Vernier Depth Calipers



FEATURES

- Vernier and main scale are with Satin Chrome finish for glare free reading.
- Provided with a fine adjustment carriage to feed the slider finely.
- Base and measuring faces are hardened and micro-lapped.

SPECIFICATIONS & DIMENSIONS

Order No.	Range	Graduation	Accuracy (\pm)	L
185-150	150mm/6"	0.02mm/0.001"	0.03mm	250
185-200	200mm/8"	0.02mm/0.001"	0.03mm	300
185-300	300mm/12"	0.02mm/0.001"	0.04mm	400
185-600	600mm/24"	0.02mm/0.001"	0.05mm	720
185-1000	1000mm/40"	0.02mm/0.001"	0.06mm	1125

