

Dial Indicators



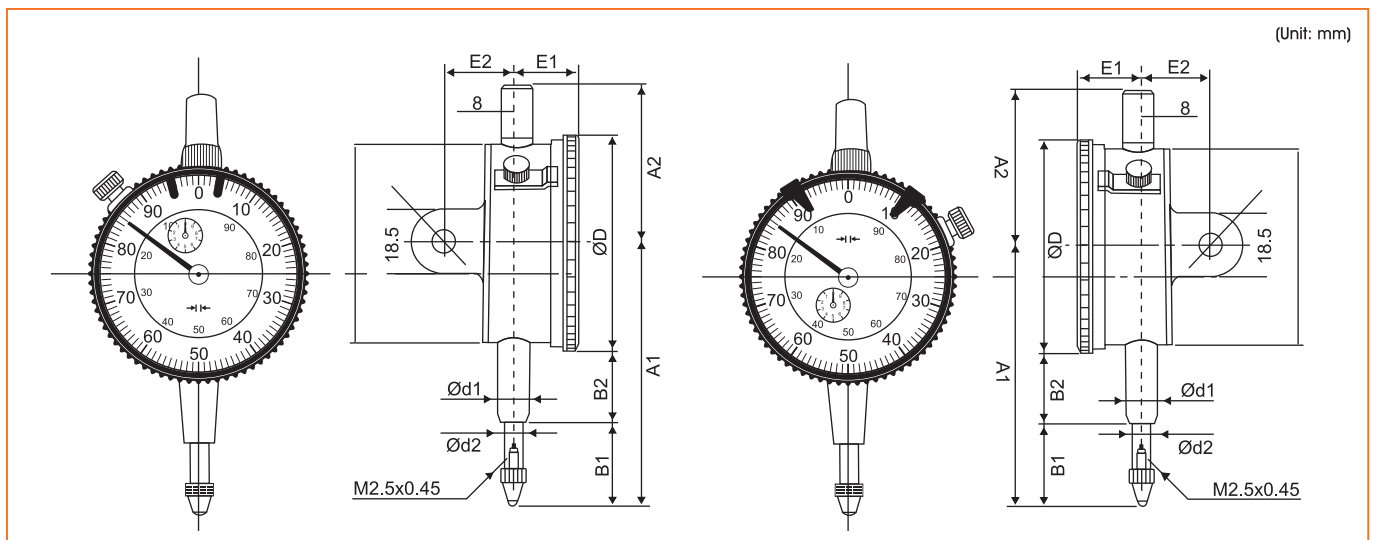
FEATURES

- Satin Chrome body with inset dial indicator for measuring mm stroke.
- Adjustable scale with stop screw.
- Jeweled movement.
- Provided with Flat and Lug type back plates.

SPECIFICATIONS & DIMENSIONS

Order No.	Range	Graduation	Accuracy (\pm)	Hysteresis	Range/Rev	Dial Reading
401-001	1mm	0.001mm	5 μ m	2 μ m	0.2mm	0-100
402-010	10mm	0.01mm	17 μ m	3 μ m	1mm	0-100
403-005	5mm	0.01mm	16 μ m	3 μ m	0.5mm	0-50
404-025	25mm	0.01mm	30 μ m	6 μ m	1mm	0-100
405-010	10mm	0.01mm	17 μ m	3 μ m	1mm	0-100

Order No.	A1	A2	B1	B2	D \emptyset	E1	E2	\emptyset d1	\emptyset d2
401-001	64.7	57.5	14	18.8	60	16.5	18.5	8	4.5
402-010	68.4	45.5	20.9	17.5	60	14.5	19	8	4.5
403-005	50.5	33	17.5	13	40	14	18	8	4
404-025	56	56	36	17	56	15.5	20.5	8	4.5
405-010	68.5	45	21	18.5	58	16	19	8	4.5



(Unit: mm)