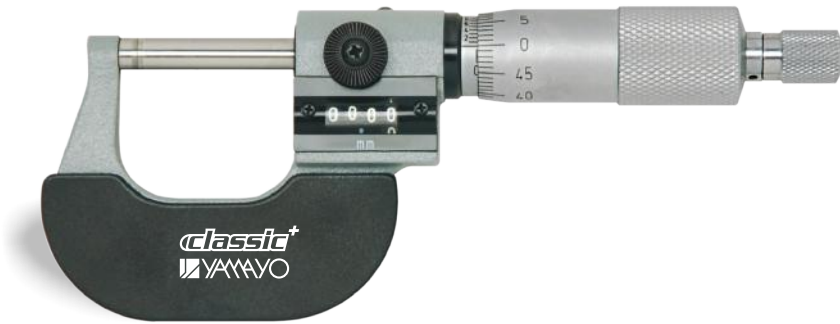


# Digit Micrometers



## FEATURES

- Provided with a Mechanical counter for quick and error free readings
- Carbide tipped measuring faces.
- Positive locking clamp.
- Ratchet stop for exact repetitive readings.

## SPECIFICATIONS & DIMENSIONS

| Order No. | Range   | Counter Graduation | Sleeve Graduation | Accuracy (±) | a  | b | L  |
|-----------|---------|--------------------|-------------------|--------------|----|---|----|
| 331-025   | 0-25mm  | 0.01mm             | 0.001mm           | 4μm          | 26 | 6 | 32 |
| 331-050   | 25-50mm | 0.01mm             | 0.001mm           | 4μm          | 32 | 8 | 57 |

