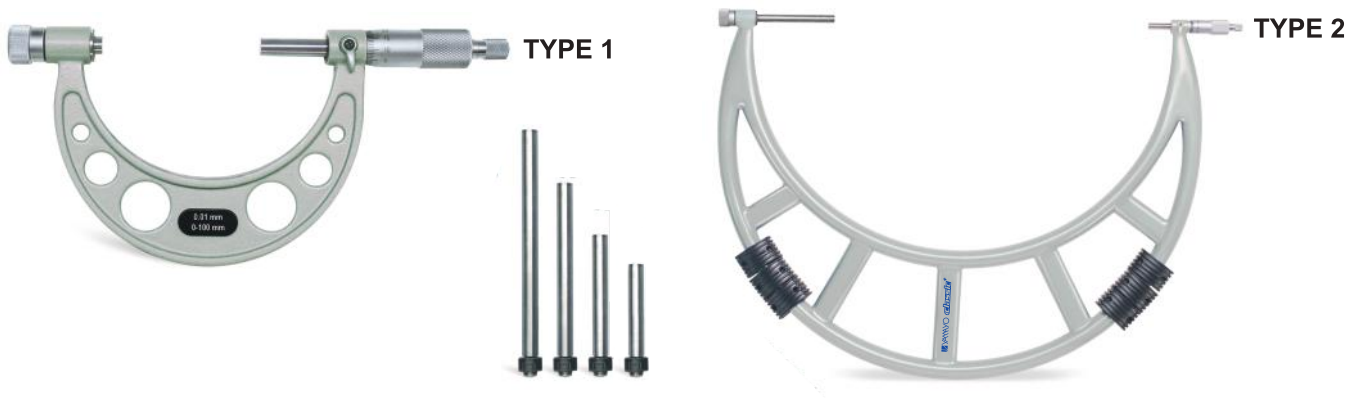


Interchangeable Outside Micrometers



FEATURES

- Wide measuring range with interchangeable anvils.
- Satin chrome scale.
- Durable frame with insulated grips.
- Carbide tipped measuring faces.
- Provided with Ratchet stop for constant force.
- Supplied with setting standards for each range.

SPECIFICATIONS & DIMENSIONS

METRIC

Order No.	Range	Graduation	Type	Accuracy (\pm)	a	L	Order No.	Range	Graduation	Type	Accuracy (\pm)	a	L
311-050	0-50mm	0.01mm	1	4 μ m	35	58	311-002	0-2"	0.0001"	1	0.00015"	28	32
311-100	0-100mm	0.01mm	1	5 μ m	57	108	311-004	0-4"	0.0001"	1	0.0002"	38	57
311-150	0-150mm	0.01mm	1	6 μ m	82	158	311-006	0-6"	0.0001"	1	0.00024"	49	82
311-151	50-150mm	0.01mm	1	6 μ m	82	158	311-026	2-6"	0.0001"	1	0.00024"	60	107
311-200	100-200mm	0.01mm	1	7 μ m	114	208	311-048	4-8"	0.0001"	1	0.00028"	73	133
311-300	150-300mm	0.01mm	1	9 μ m	165	308	311-612	6-12"	0.0001"	1	0.00035"	85	158
311-301	200-300mm	0.01mm	1	9 μ m	165	308							

Order No.	Range	Graduation	Type	Accuracy (\pm)	a	L
311-400	300-400mm	0.01mm	2	11 μ m	224	409
311-500	400-500mm	0.01mm	2	13 μ m	275	509
311-600	500-600mm	0.01mm	2	14 μ m	321	609
311-700	600-700mm	0.01mm	2	16 μ m	371	709
311-800	700-800mm	0.01mm	2	18 μ m	426	809
311-900	800-900mm	0.01mm	2	20 μ m	476	909
311-1000	900-1000mm	0.01mm	2	22 μ m	576	1009

