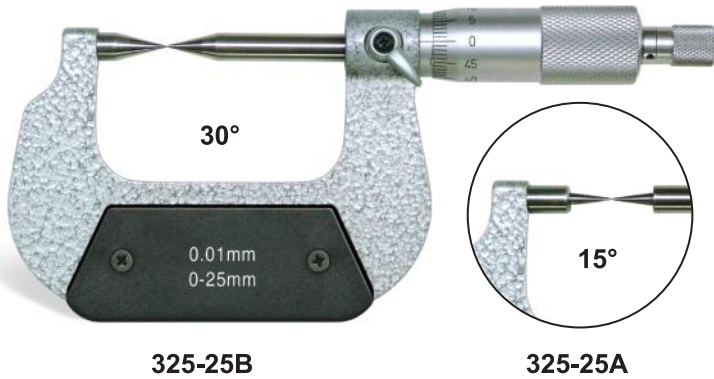


Point Outside Micrometers



FEATURES

- Pointed spindle and anvil for measuring the web thickness of drills, small grooves, keyways.
- Carbide tipped measuring points
- Ratchet stop for constant force

SPECIFICATIONS & DIMENSIONS

Order No.	Range	Graduation	Degree	Accuracy (±)
325-25A	0-25mm	0.01mm	15°	4μm
325-25B	0-25mm	0.01mm	30°	4μm

