

Digimatic Welding Seam Gauges

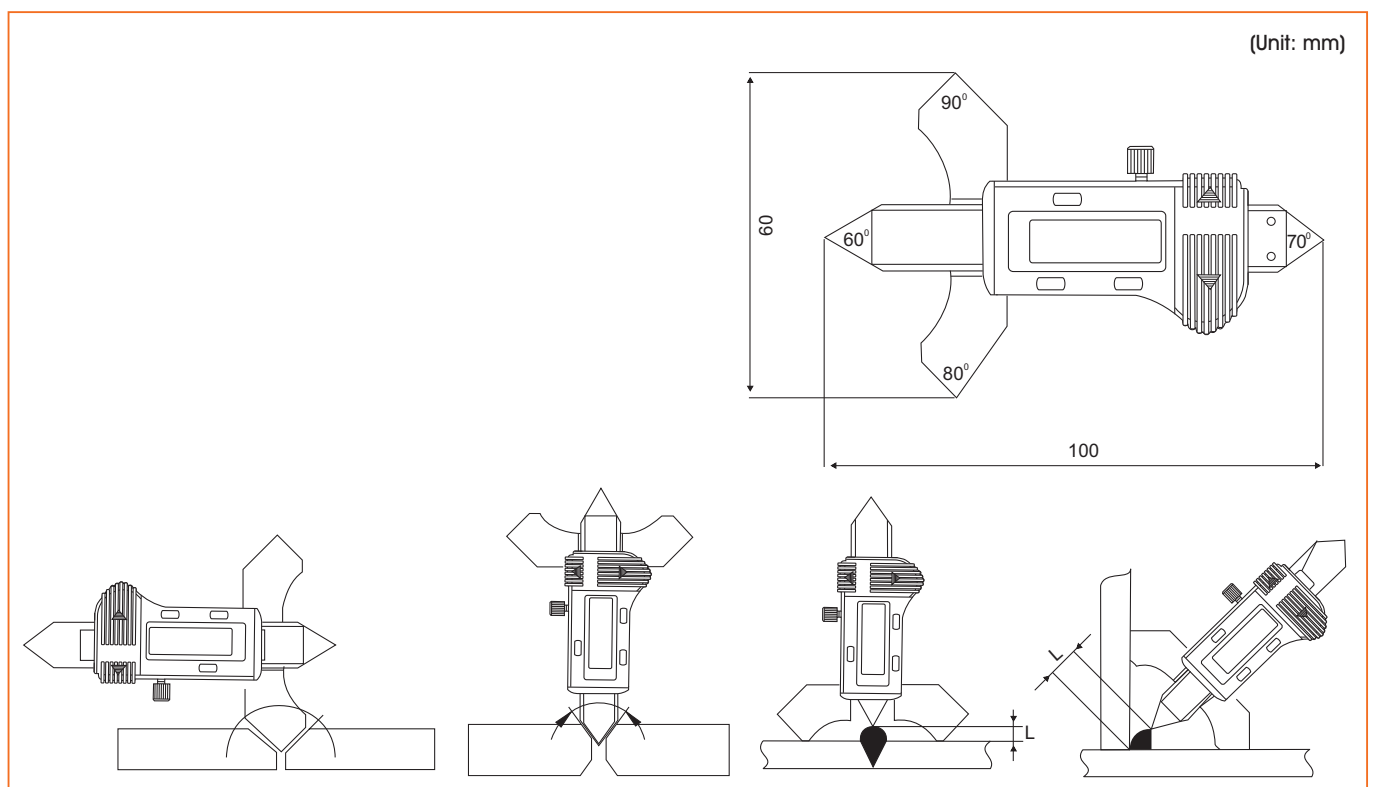


FEATURES

- Used for measuring welding seam thickness.
- Can check the angles of the groove (The gauge is provided with four angular templates: 60°, 70°, 80° and 90°)
- Zero setting at any position,
- Power supply: One LR44 battery
- Function: On/Off, Origin (Zero setting), Data output, inch/mm.
- Made of stainless steel

SPECIFICATIONS & DIMENSIONS

Order No.	Range	Resolution	Accuracy (\pm)
800-020	0-20mm	0.01mm/0.0005"	0.03mm



(Unit: mm)